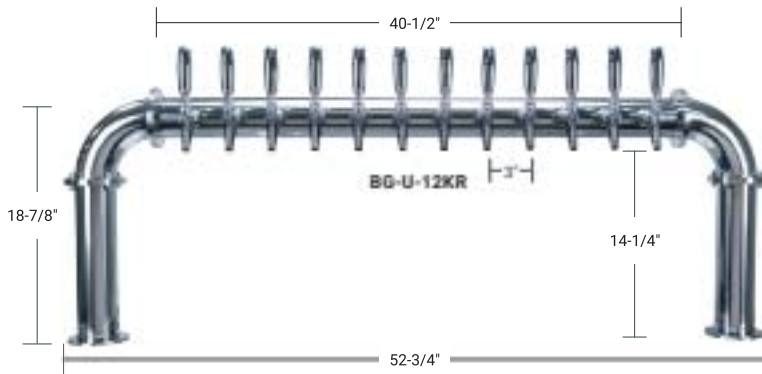


BIERGARTEN™

The Biergarten™ series offers a brewery-pipe style but with slimmed down proportions. The design features contrast between the 3" diameter uprights and crossbar and 6" flanges. Biergarten™ towers are constructed from stainless steel tubes finished to a high polish. Provide choice for draft beer customers: 8, 10, and 12 faucet towers in-stock! The Biergarten™ series 304 stainless steel faucets are all glycol cooled using Kool-Rite™ technology.



BG-U-12KR
Side view

BIERGARTEN™ "U" – 3" COLUMN

Kool-Rite™ (glycol cooled) includes: 304 stainless steel faucet & shank with 1/4" O.D. tube.

PART NO.	FAUCETS	FINISH	LENGTH	OUTLET	RESTRICTION	DISPENSE SYSTEM
BG-U-8KR	8	Polished SS	40-3/4"	Tube	10 1/2 lbs	Kool-Rite™ (Glycol)
BG-U-10KR	10	Polished SS	46-3/4"	Tube	10 1/2 lbs	Kool-Rite™ (Glycol)
BG-U-12KR	12	Polished SS	52-3/4"	Tube	10 1/2 lbs	Kool-Rite™ (Glycol)



BIERGARTEN™ PEDESTAL EXTENSIONS WITH FLANGES AVAILABLE!

Made to order. 3" diameter, polished stainless steel, hardware not included. Call for pricing.



BG-U-8KR

DRIP TRAY SELECTIONS

PART NO.	FAUCETS	SERIES TYPE	FINISH	DIMENSIONS	GLASS RINSER
DP-120D-30	8	Surface mount	SS	30"W x 5"D x 3/4"H	
DP-120D-30GR	8	Surface mount	SS	30"W x 5"D x 3/4"H	Included
DP-820D-30	8	Surface mount	SS	30"W x 8"D x 3/4"H	
DP-820D-30GR	8	Surface mount	SS	30"W x 8"D x 3/4"H	Included
DP-120D-33	10	Surface mount	SS	33"W x 5"D x 3/4"H	
DP-820D-33	10	Surface mount	SS	33"W x 8"D x 3/4"H	
DP-820D-33GR	10	Surface mount	SS	33"W x 8"D x 3/4"H	Included
DP-120D-39	12	Surface mount	SS	39"W x 5"D x 3/4"H	
DP-820D-39	12	Surface mount	SS	39"W x 8"D x 3/4"H	
DP-820D-39GR	12	Surface mount	SS	39"W x 8"D x 3/4"H	Included



DP-120D-30GR



DP-820D-30

Faucet knobs are not included.